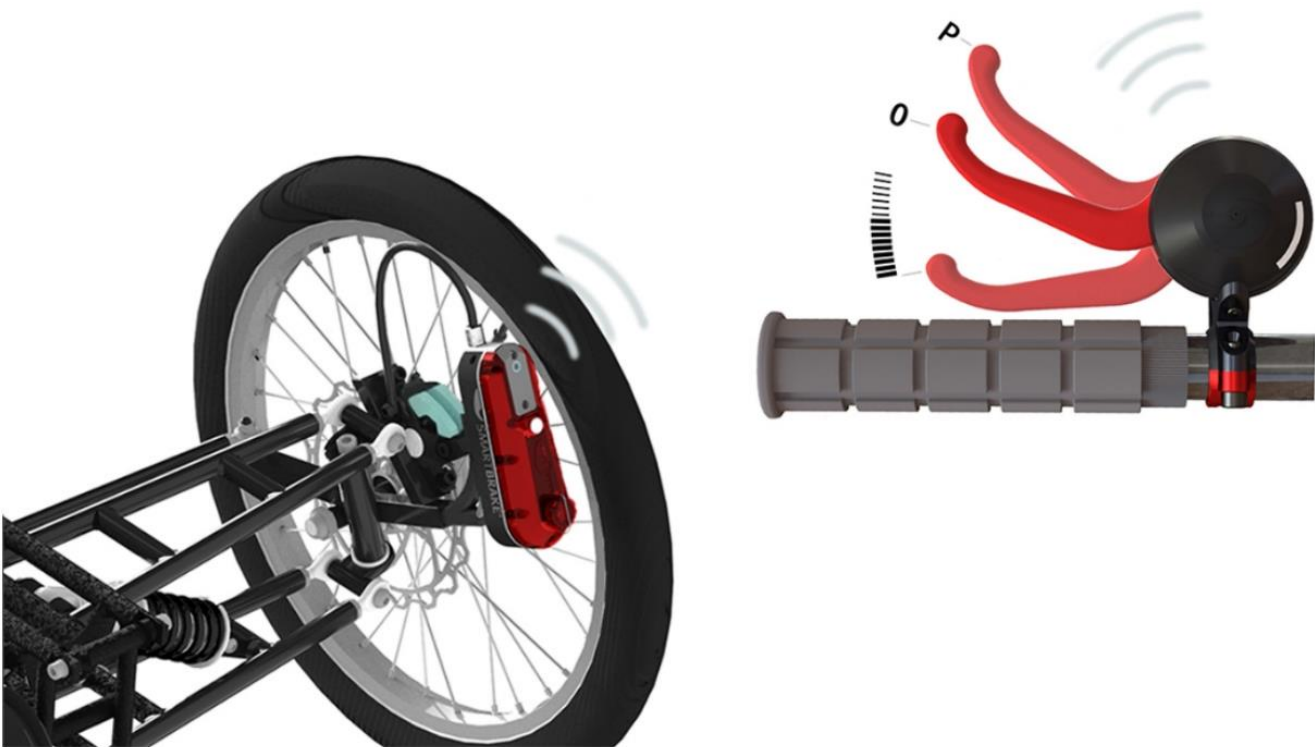


Product Brochure for SMART BRAKE TECHNOLOGY

Model: Wireless hydraulic disc brakes - 2019



SMART BRAKE Technology is a **wireless brake system** for bikes, wheelchairs and other sports and mobility equipment. SMART BRAKE is well suited for users with disabilities. The braking system requires **less than 10% of normal handgrip**, can be controlled remotely as parental/companion control, and adapted to different user needs.

TECHNOLOGY

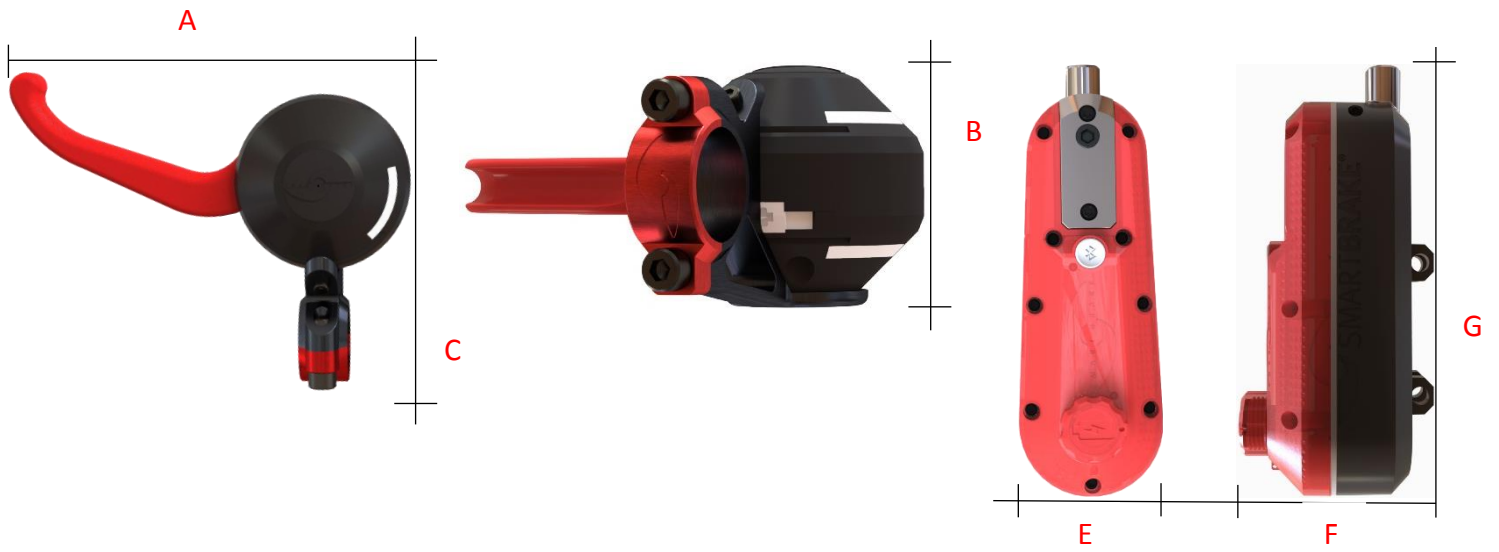
SMART BRAKE is the most advanced wireless brake system available for sports and mobility equipment. The unique and patented technology enables users to tailor the brake and performance according to their needs. Adjustments are ideal for users with reduced handgrip/-power or limited upper body mobility. The wireless brake controller can be operated from positions optimal for the user, and fits all hand sizes. Additional hand controls can be connected and operated in a radius of 15 meters. The Parental Control enables companions to control braking and parking on behalf of the user. The wireless technology is based on Radio Frequency (RF) and Bluetooth (BLE).

The hydraulic brake system is mounted on disc/calipers, and provides high precision brake force. SMART BRAKE can be supplied with both driving and brake lights. The system also has parking brake integrated, which can easily be controlled from the same hand control. The parking brake will automatically be activated after a short period of inactivity.

TECHNICAL DATA

SMART BRAKE is delivered as DIY kit with completed (bled) hydraulic brakes and is easily mounted onto the mobility equipment without special tools required. The brakes work across many bicycle models and wheels with disc brakes. SMART BRAKE can be supplied with calipers included (Shimano, Sram, Tektro). For more information about models and specifications, please contact us (see contact details on last page).

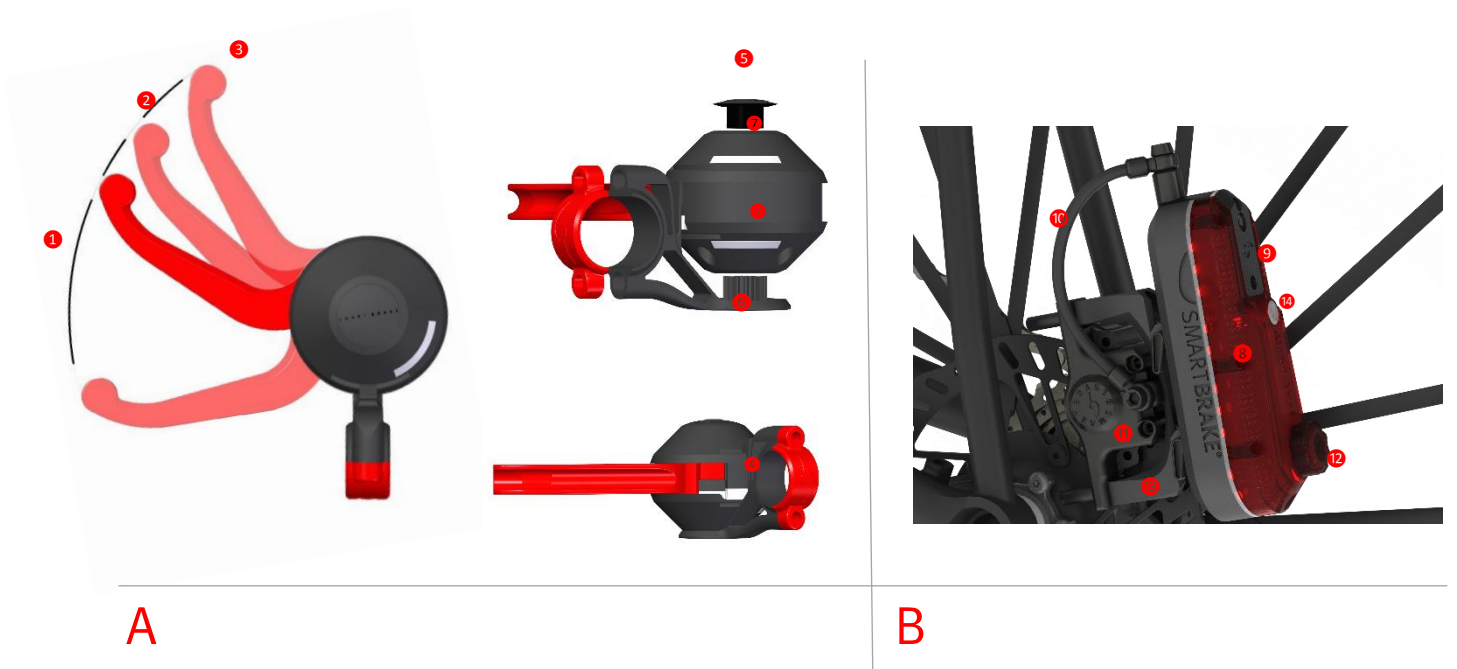
	PART	DESCRIPTION	SIZE (mm), (g)
Brake Control	A	Width	126
	B	Height	47
	C	Length	89
	D	Weight	65
Brake Unit	E	Width	47,5
	F	Height	54,5
	G	Length	145
	H	Weight	197



DETAILS

SMART BRAKE consists of 3 main components:

A) Brake Control (Lever), B) Brake Unit and C) Parental/Companion Control



A) Brake Control (Levers):

1. Brake levers, whose braking force increases linear to the motion
2. Parking brake, where motor is short-circuited in maximum braking force
3. Function for synchronization: New function to braking force per degree is being recalculated in relation to the levers moving space
4. Charging: Micro USB type-B
5. Cover to protect against water and particles
6. Splines to adapt the control onto handlebars
7. LED indicators

B) Brake Unit

8. Brake light (red glass), can also be supplied with daytime running lights (white glass)
9. Reservoir, chamber for brake fluid
10. Hose, fluid-carrying
11. Caliper: SMART BRAKE can be supplied with / without caliper
12. Charging point, micro-USB type B
13. Mounting bracket
14. Bluetooth, to synchronize brake unit and hand control

C) Parental/Companion Control (*picture not included*)

- a. Brake controller for remote control of SMART BRAKE, 15m radius from brake unit

D) Accessories:

- a. USB Charger
- b. Packaging: SMART BRAKE is supplied in an environmentally friendly box

SAFETY

SMART BRAKE is a result of proprietary technology developed and tested since 2010. Our first product line was released to the market in 2016 and is used by customers in more than 15 countries. The product is approved by the Norwegian Welfare Administration (NAV) as activity aid for disabled.

SMART BRAKE has built-in fail-safe function at low battery or signal failure. The brake is activated for controlled braking and stopping. SMART BRAKE will have secondary brake systems on most applications (e.g. bicycles).

ROLLERSAFE

SMART BRAKE Technology is developed in Norway by RollerSafe AS. Our dedicated team consists of experienced industrial designers, engineers and programmers. We cooperate closely with users, therapists and equipment suppliers within mobility and sports. RollerSafe has won several awards for innovative design. Product assembly, sales and warehousing take place in Son, Norway.

The company's vision is to enable more and safer activity within mobility and sports for users of all ages.

CONTACT



(+47) 64 95 94 44



post@mysmartbrake.no



Slettaveien 18, 1555 Son – Norway



www.mysmartbrake.com